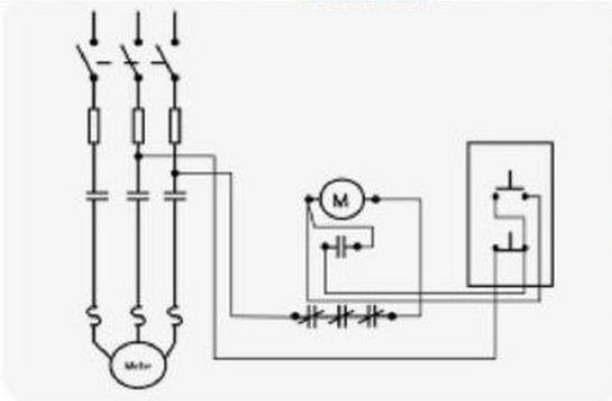
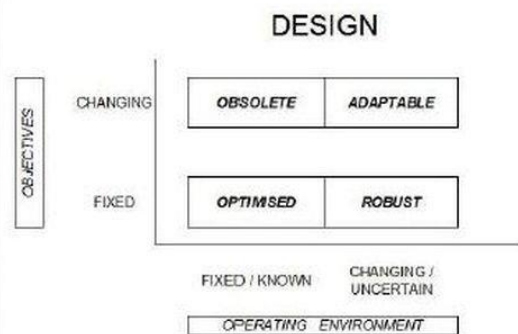


TECHNOLOGY TRANSLATION SQUAD



Sections: -- Thank You (Initiative) -- Post Views -- Post Christmas Chance

=== Thank You (Initiative) ===

Thank you for looking into the new ElecEng Initiative of a Technology Squad to help Industry & Academia develop a better practical & profitable relationship.

Dr Priestley mentioned a few emails back:

“Hi Robert,

Thanks for posting this! I have had a few extra responses – which is good.

Fingers crossed we get a few more!

Cheers,
Matt”

=== Post Views ===

I've noticed over the years for people from ElecEng, basic numbers, formulae and graphs can reveal many perspectives at a glance. From a "Unix line-printer" (DEC) of the 80's perspective we have:

Posts & 'Seen By' on Dec 04:

Oct 26 = Initial had 88_LI and 19_FB.

Nov 23 = Reminder had 41_LI and 21_FB.

Nov 30 = Closed

LI = UNSW EEnT Alumni, 530 members.

FB = ELSOC Alumni, 175 members.

DEC = Digital Equipment Corporation.

=== Post Christmas Chance ===

If your world changes again and you are suddenly stuck by Zeus' thunderbolt to follow-up the initiative, I'd suggest you reach out to Dr. Matthew Priestley and share what's on your mind or situation. (m.priestley@unsw.edu.au)

Life is a work-in-progress, isn't it?

// Posted on Elsoc Alumni (FB) and EEnT Alumni (LI) -- 4 Dec 2023

// Ctee: Kaveh Fanian MAICD, Luke Welfare, Edmund Li, Shakthi Nathan Saravanan, Vijay Srihari, and Prof. Julien Epps

// Previous Ctee: Gagan Singh Khosla, Somansh Agrawal, Simon Buchwald, Matthew Rowe